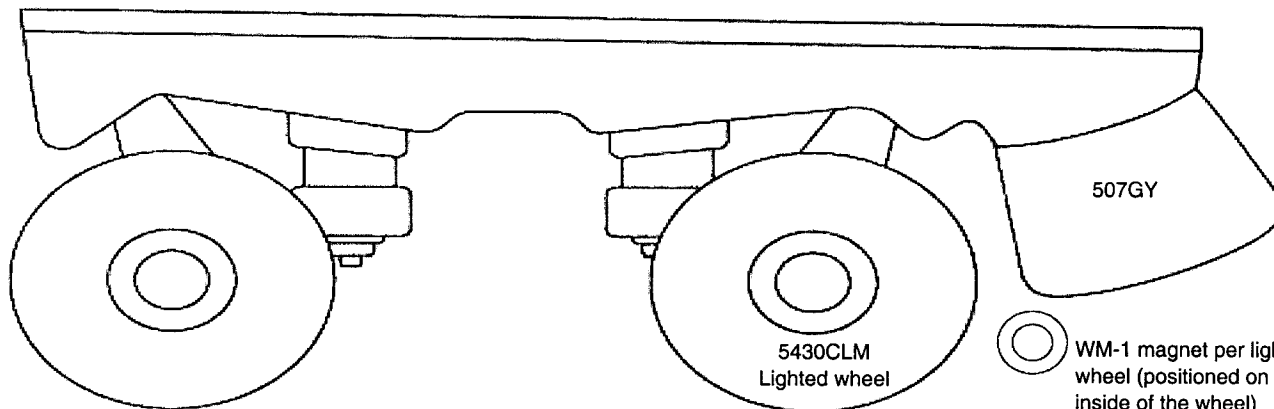


P366/P966 Youth



Lite Rockers



Each skate has 2 lighted wheels on the outside of the skate. The 2 inside wheels do not have lights. Lighted wheels are warranted for 30 days from the date of purchase. All returns must accompany the original sales receipt, no copies. Returns are to be shipped prepaid to Pacer Skate Company, 311 W. Edwards St., Litchfield, IL 62056. The factory reserves the right to repair or replace if an item is determined to be defective. This is a factory direct warranty.

Part #	Description	Cost	Qty	Total
608B1	1 Bearing - ABEC 1	\$1.00		
507GY	1 Toestop (Gray only)	\$2.00		

Part #	Description	Cost	Qty	Total
5430CLM	1 Lighted wheel & magnet	\$6.50		
WM	1 Lighted wheel magnet	\$1.50		
5430C	1 Unlighted Wheel	\$3.00		

Note: Only the 2 outside wheels on each skate are lighted wheels. The inside wheels do not have lights.

All orders must be paid by check, Visa, or Mastercard prior to shipment

All orders are required to be faxed or mailed with signature

CA residents add 8.25% tax
 IL residents add 6.75% tax
 PA residents add 6% tax

Subtotal	
Tax	
Shipping and Handling	\$6.25
TOTAL	

Name: _____ Signature: _____ Phone: _____

Address: _____ City: _____ State: _____ Zip: _____

MC or Visa #: _____ Exp Date: _____

1. Check the axle screws on each wheel. The male and female should be tightened firmly prior to each use.
2. Check heel stop screw before skating. The male and female should be tightened firmly. If heel stop shows substantial wear, it should be replaced.

1. Sur chaque roue, vérifiez les vis de l'essieu. Les vis mâles et femelles doivent être serrées fermement avant l'utilisation des patins.
2. Vérifiez les vis du frein avant l'utilisation des patins. Les vis mâles et femelles doivent être serrées fermement. Si le frein arrière montre des signes apparents d'usure. Veuillez le remplacer.

1. Prüfen sie die schrauben aller rollen, schraube und mutter vor gebrauch gut festdrehen.
2. Prüfen sie die schraube beim stopper bevor sie fahren. Schraube und mutter gut befestigen. Ersetzen sie den stopper, wenn er abgenutzt ist.

1. Cheque los tornillos de cada rueda, macho y hembra de los tornillos deberan apretarse antes de cada uso.
2. Cheque todos los tornillos del freno para asegurarse que esten bien apretados. Si nota que la goma del freno esta gastada, esta debera ser reemplazada por una nueva